



SKYMAX PATIO RETRACTABLE ROOF SYSTEM

Extend your living area with The SkyMax Patio System. An intelligent all-in-one solution that protects you from the elements, while delivering functionality and style to your outdoor area.

Protection – Delivering optimum protection against sun and rain, The SkyMax Patio System has been designed and engineered to withstand wind speeds of up to 90km/hr. With a maximum width of 15 metres, and projection of 6 metres, the system allows shade & rain protection up to 100 square metres.

Functionality – The SkyMax Patio will not confine your area or add additional heat during the warmer months of the year, unlike conventional roofing or louvered systems. The SkyMax Patio is easily extended or retracted with the remote control, allowing you to stop the awning at your desired position.

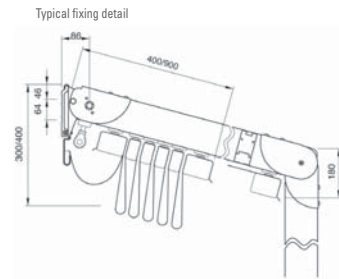
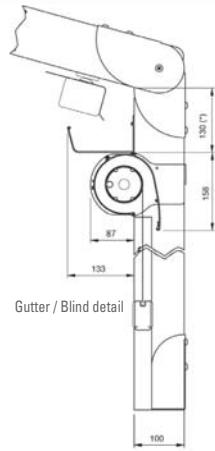
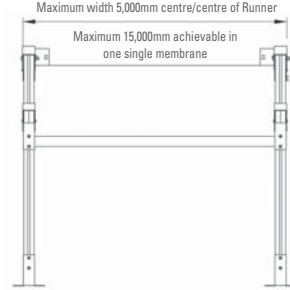
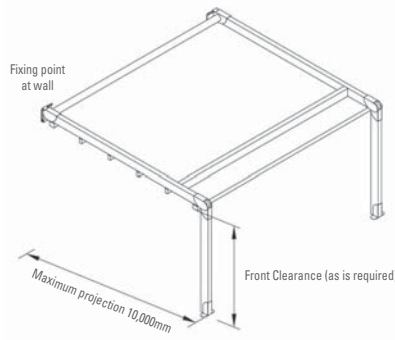
Technology – We pride ourselves on utilising the latest technology from Europe & Australia, enabling us to bring the most modern & stylish systems available to the market.

Quality – The SkyMax Patio is European in design & manufactured in Australia by our highly skilled team. Quality is always one of our highest priorities, ensuring total customer satisfaction in everything we do.



SKYMAX PATIO RETRACTABLE ROOF SYSTEM SPECIFICATIONS

Please note illustrations are not to scale. All measurements are in millimetres. Please contact your Tecnic representative for additional information.



SIZES	WIDTH & PROJECTION	Max. width 15m - Max projection 6m (15m projection when fixing to an existing structure)
OPERATION	TYPE	Motorised / Manual
HARDWARE	MATERIAL	All components made from non-corrosive materials, including 316 stainless steel connectors & bolts. 6061 grade extruded aluminium support frame (available in over 200 colours)
FABRIC OPTIONS		Reinforced high-tensile polyester core PVC (Preconstraint Ferrari 502) Ferrari Soltis 86/92 reinforced high-tensile polyester core sunscreens
CONTROL OPTIONS		Integrated lighting modules Integrated electric radiant heat panels Integrated self zipping motorised blinds & curtains Integrated drainage system
REGISTERED DEALER		Master Quality Shades - 532 Military Road, Mosman P: 02 9968 2700 F: 02 9968 2766 Email: info@masterqualityshades.com.au

