



ROLTEX TR 2100 RETRACTABLE ROOF SYSTEM

The Roltex TR 2100 offers unparalleled protection. Utilising the latest in German manufacturing & technology, the TR 2100 is the most functional form of retractable shade cover on the market.

Protection – Utilising the latest & most durable fabrics on the market, the Roltex TR 2100 offers many different options for sun protection. Providing complete management against harsh UV rays, heat gain, and entry of light, the system will reduce energy usage.

Functionality – The Roltex TR 2100 System is compact and reliable in design & can be installed on pergolas or attached to the house. The awning is easily extended or retracted with the remote control, allowing you to stop the awning at your desired position.

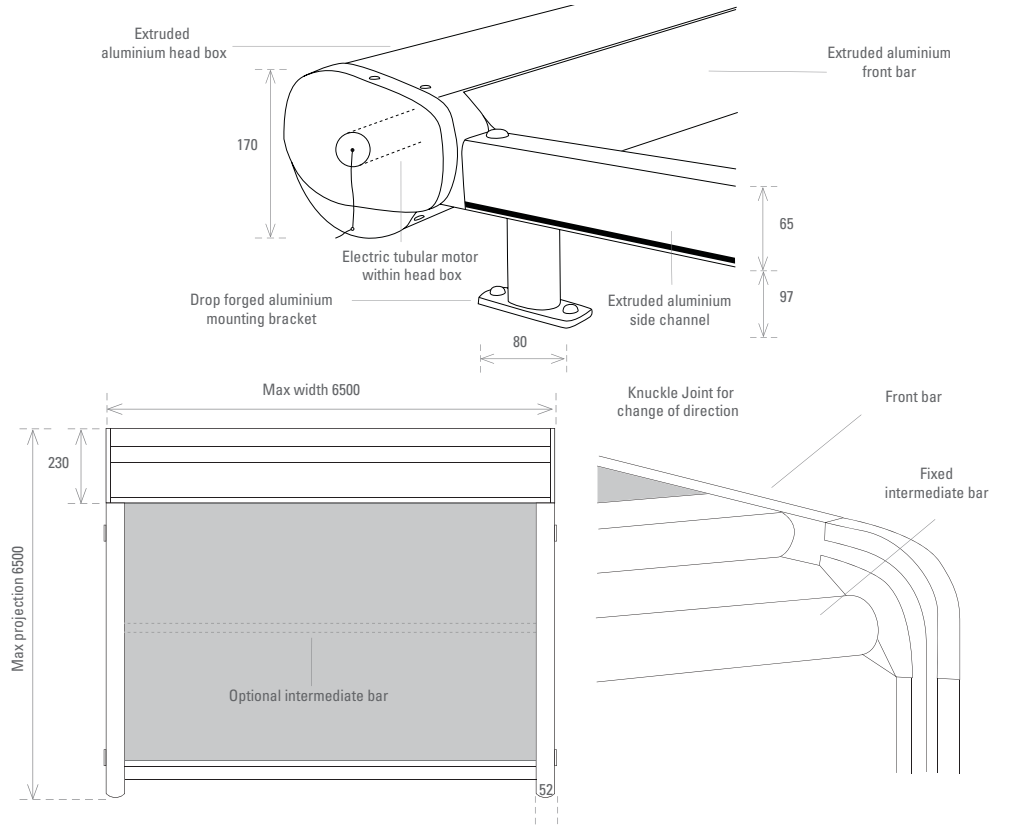
Technology – Reinforced Kevlar belt-drive mechanism, with heavy duty front & back spring assembly, ensures fabric tension is maintained in all positions.

Quality – Designed, engineered and built to last, with quality service & experience that you can rely on. Roltex systems utilise the very latest in German engineering techniques, and are manufactured in accordance with German TÜV Product Safety Certification.



ROLTEX TR 2100 RETRACTABLE SUNROOF SYSTEM SPECIFICATIONS

Please note illustrations are not to scale. All measurements are in millimetres. Please contact your Tecnic representative for additional information.



SIZES		
WIDTH	Min 1500mm	Max 6500mm
PROJECTION	Min 1400mm	Max 6500mm
COLOURS		
STANDARD	No standard colours are available	
OPTIONAL	Dulux powder coat range available	
OPERATION		
ELECTRICAL	Somfy electric motors, remote operation, sun/wind/rain sensors & timer controllers. BMS compatible	
SIDE CHANNELS		
MATERIAL	Powder coated 6061 grade extruded aluminium with Kevlar reinforced belt drive mechanism within channel	
SIZE	65mm x 52mm	
HEAD BOX		
MATERIAL	Powder coated 6061 grade extruded aluminium	
SIZE	170mm x 200mm	
TOP ROLLER		
MATERIAL	Heavy duty extruded roller tube	
DIAMETER	85mm	
FRONT BAR		
MATERIAL	Powder coated 6061 extruded aluminium	
SIZE	120mm x 68mm	
MOUNTING BRACKETS		
MATERIAL	Drop forged aluminium with stainless steel key connections	
FABRIC		
MARINE GRADE ACRYLIC	100% dope dyed acrylic "Sunacrylic" Orchestra & Sunbrella acrylic ranges available	
SUNSCREEN MESH	High tenacity polyester core yarn sunscreen - Soltis 86 (15% openness) 92/93 (5% openness) ranges	
REGISTERED DEALER		
Master Quality Shades - 532 Military Road, Mosman		
P: 02 9968 2700 F: 02 9968 2766		
Email: info@masterqualityshades.com.au		

 **Master Quality Shades**
www.masterqualityshades.com.au

 **Tecnic**
www.tecnic.com.au